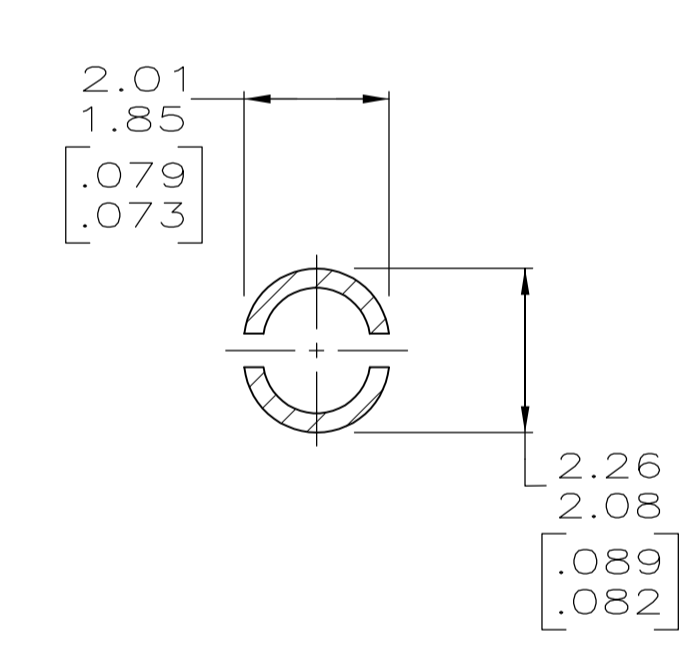
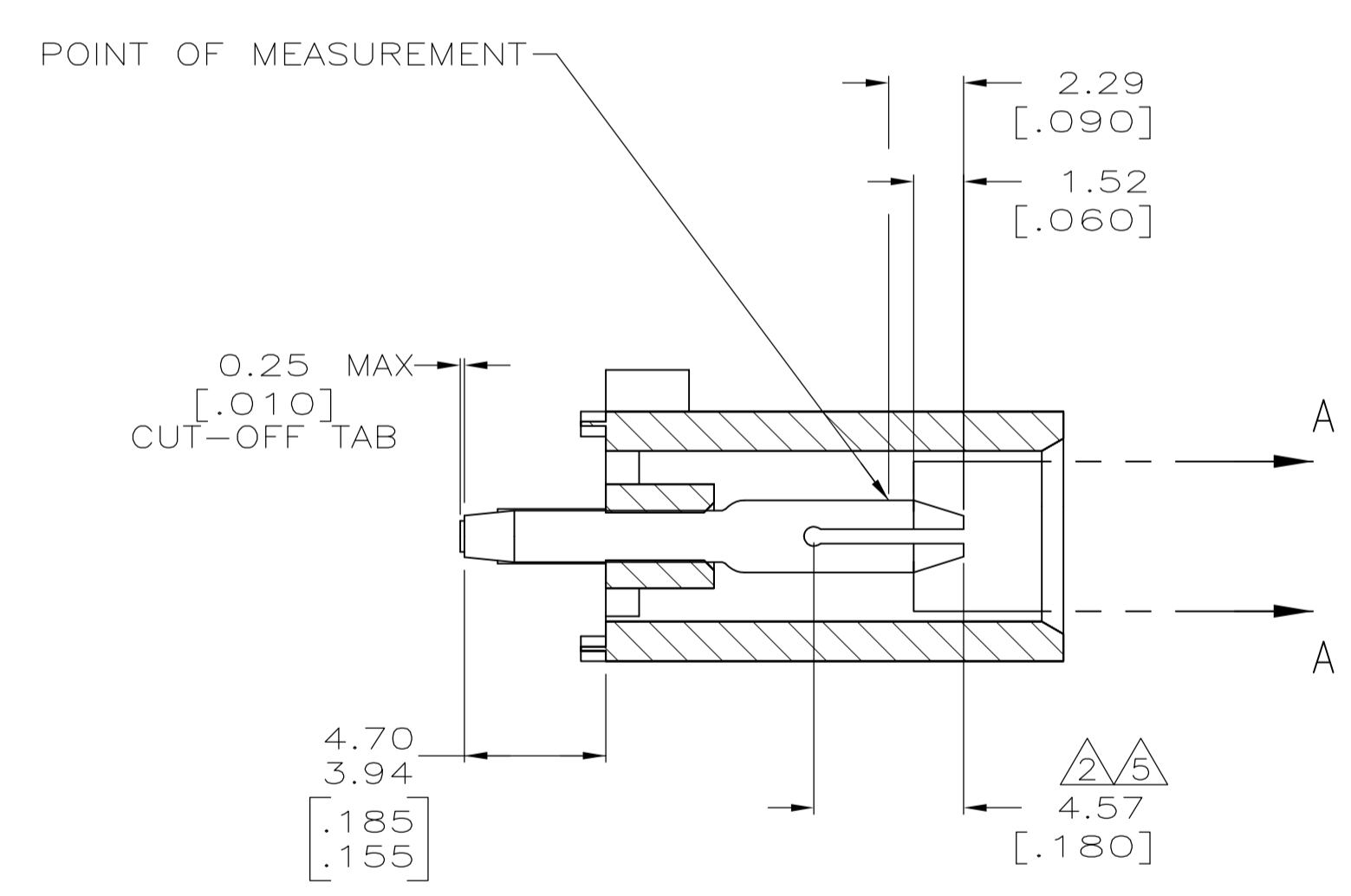
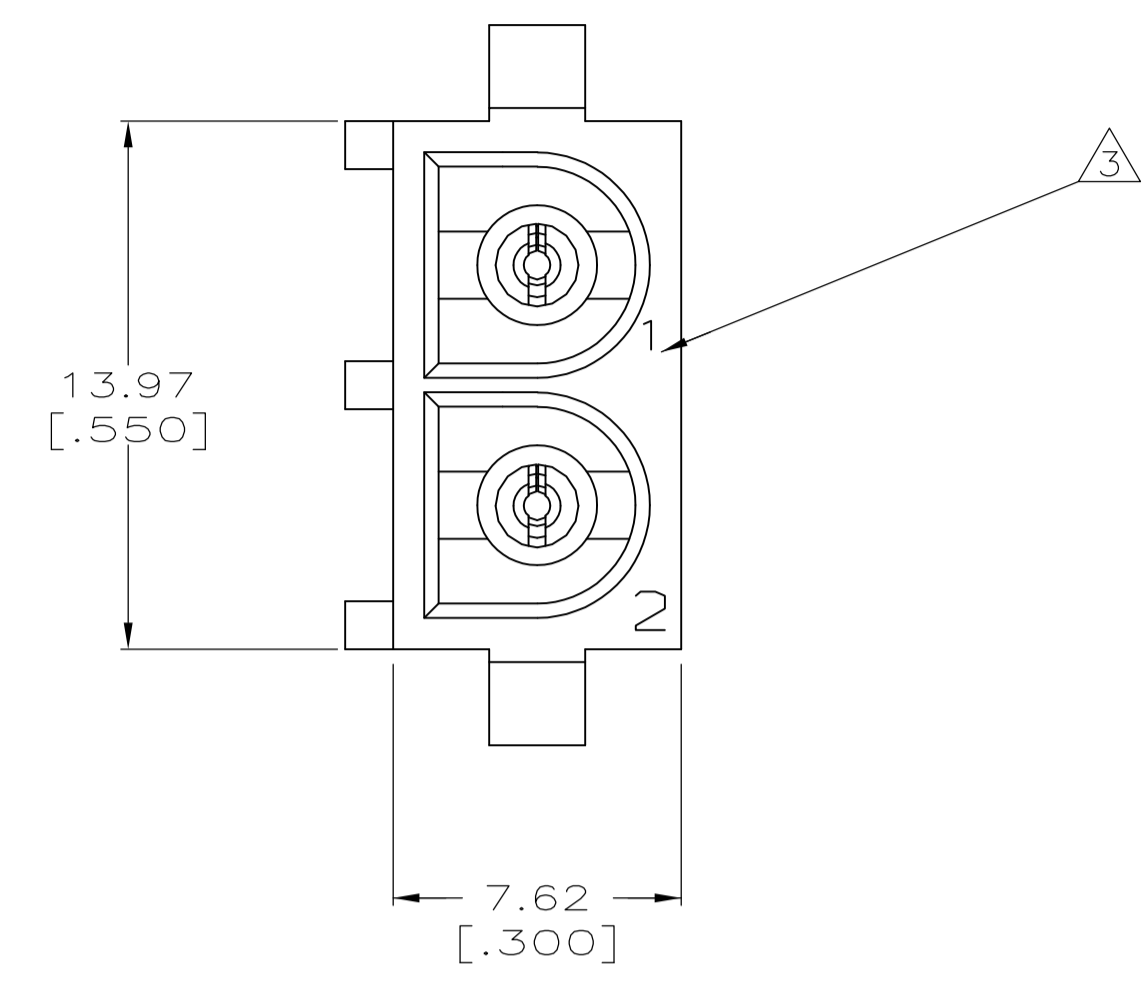
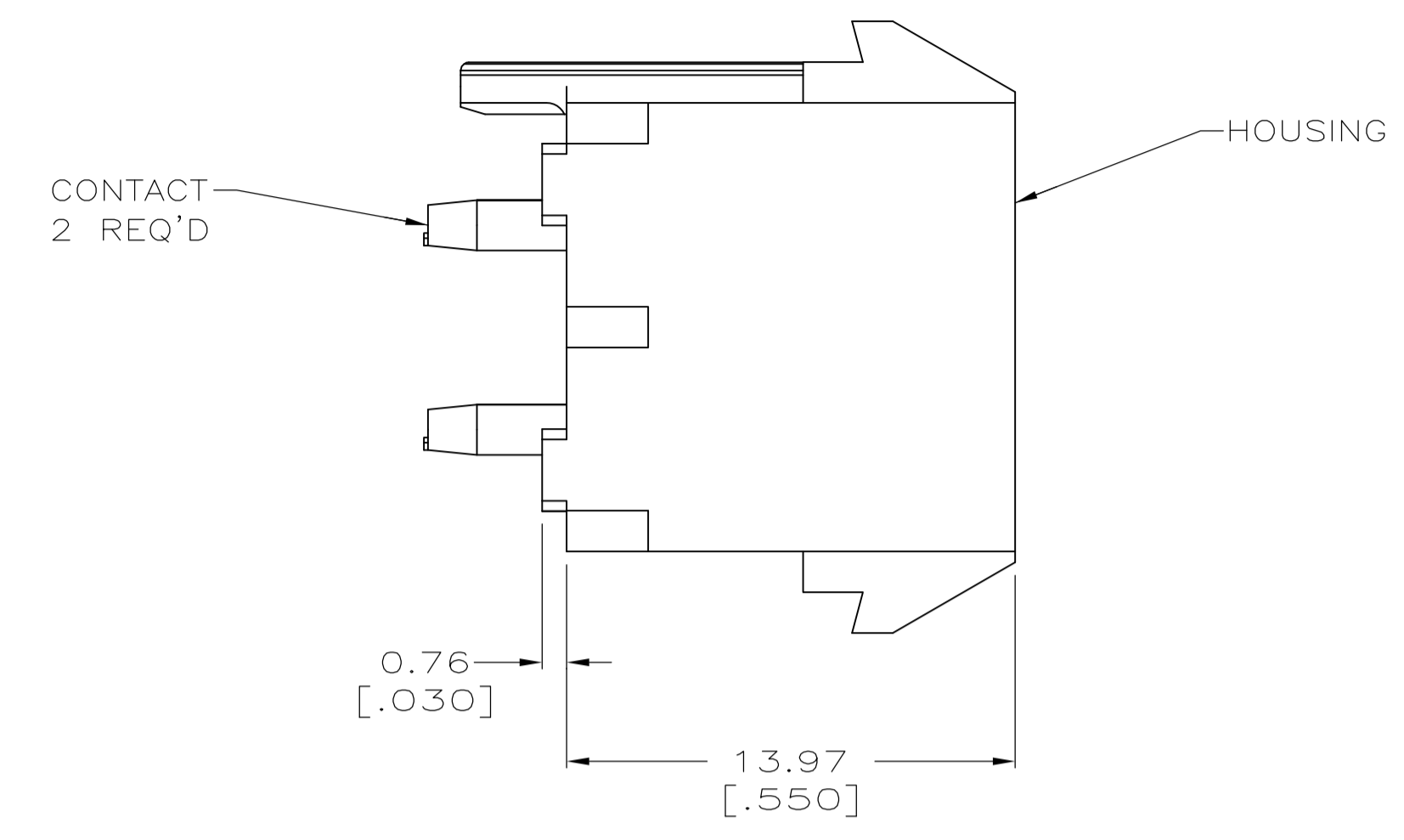
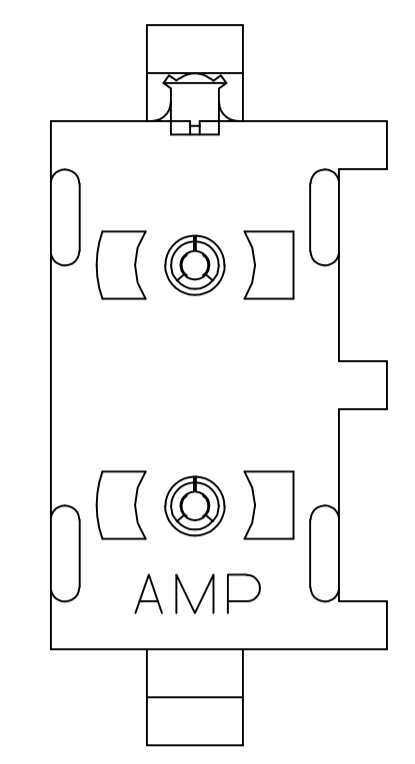
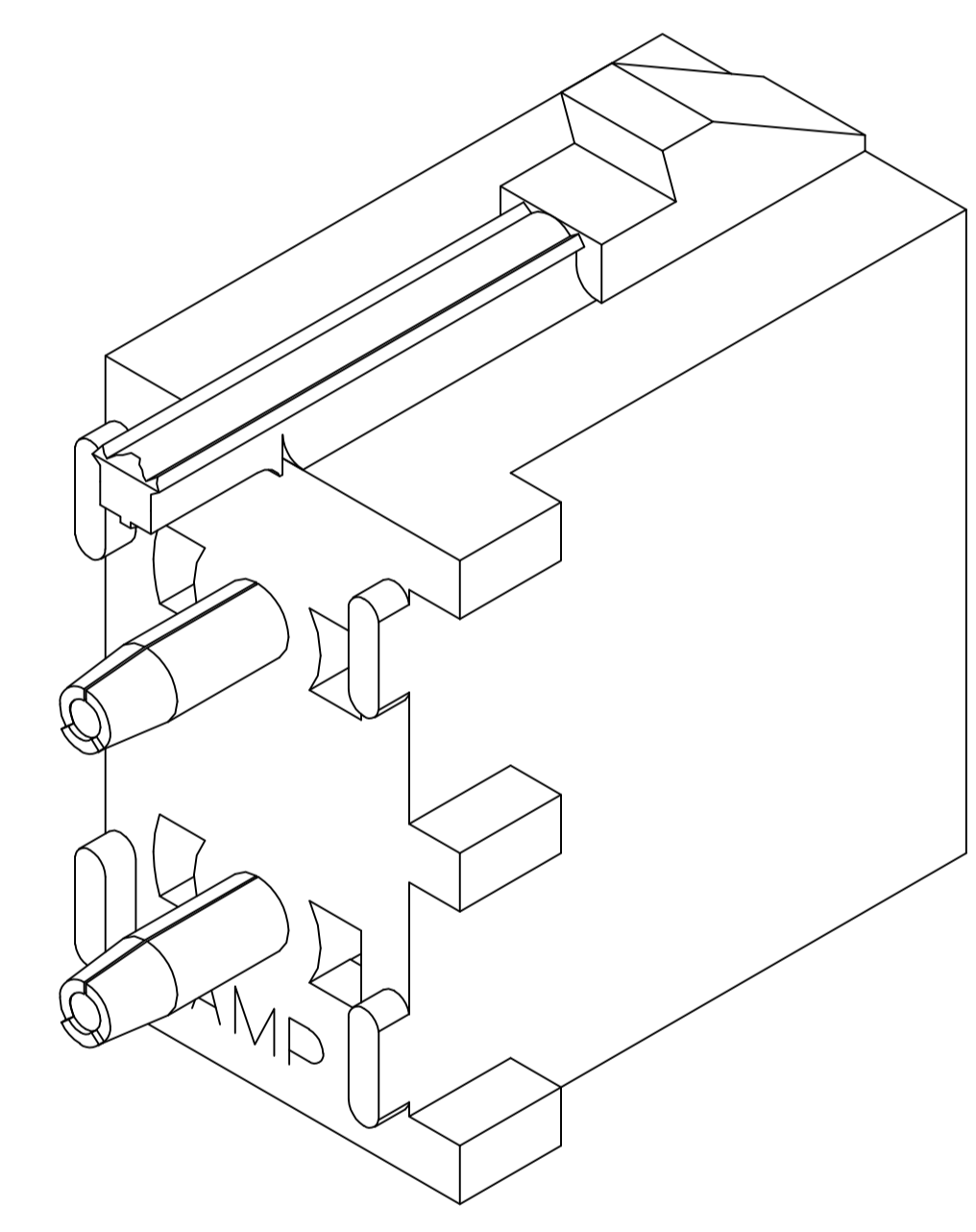


LOC	DIST	REVISIONS			
CM	00	REV	DESCRIPTION	DATE	BY
		K1	REVISED PER ECR-12-011660	31JAN13	KH

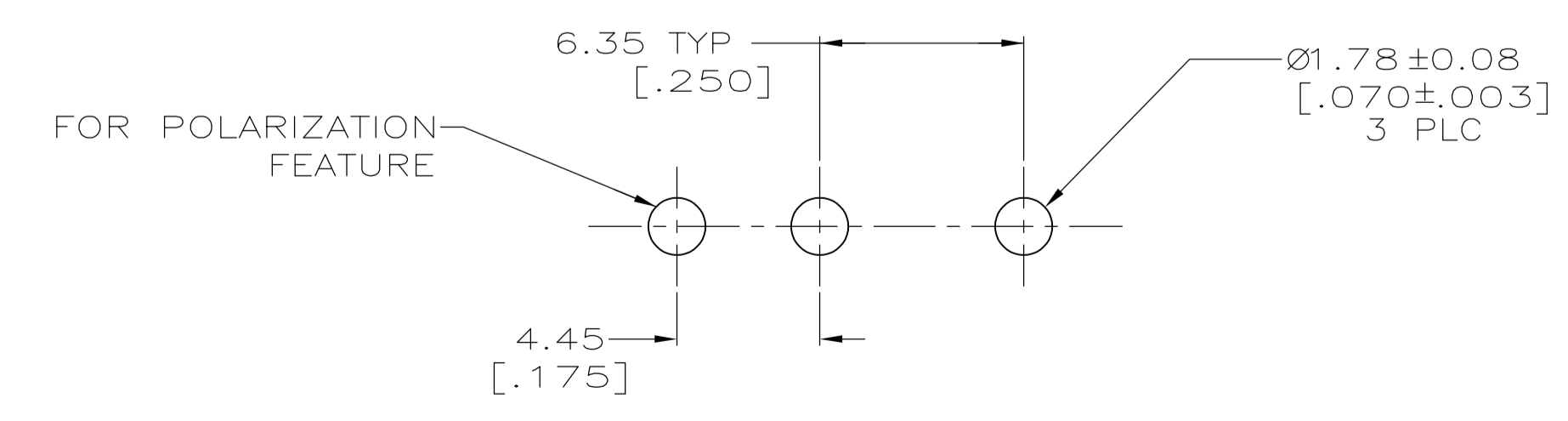
- 1 PARTS COMPLY TO AMP SOLDERABILITY SPECIFICATION 109-11-3.
- 2 CONTACT IS PLATED OVERALL WITH 0.00127[.000050] NICKEL, THEN 0.00076 [.000030] GOLD OVER CONTACT LENGTH INDICATED AND MATTE TIN LEAD ON SOLDER TAIL END.
- 3 CIRCUIT IDENTIFICATION CHARACTERS ARE ADJACENT TO THE INDICATED CAVITIES, BUT LOCATION AND ORIENTATION MAY DIFFER FROM PRINT.
- 4 DIMENSIONS IN BRACKETS ARE IN INCHES.
- 5 CONTACT IS PLATED OVERALL WITH 0.00127[.000050] NICKEL, THEN 0.00076 [.000030] GOLD OVER CONTACT LENGTH INDICATED AND MATTE TIN ON SOLDER TAIL END.
- 6 SUPERSEDED BY 641963-3



SECTION A-A
SCALE 10:1



3-DIMENSIONAL MODEL
NTS



RECOMMENDED MOUNTING HOLE PATTERN
FOR 1.57 [.062] THICK P.C. BOARD

MATERIAL	FINISH	HOUSING MATERIAL	PART NUMBER
PHOSPHOR BRONZE, GOLD	5	NYLON,UL94V-2,NATURAL	641963-3
PHOSPHOR BRONZE, GOLD	2	NYLON,UL94V-2,NATURAL	641963-2
PHOSPHOR BRONZE, PRE-TIN		NYLON,UL94V-2,NATURAL	641963-1

THIS DRAWING IS A CONTROLLED DOCUMENT.

DIMENSIONS: mm [INCHES]	TOLERANCES UNLESS OTHERWISE SPECIFIED: 0 PLC ± - 1 PLC ± - 2 PLC ± 0.13 [.005] 3 PLC ± - 4 PLC ± - ANGLES ± 0°30'	DIN L McEACHIN 07-JAN-2000 CHK K COBLE 07-JUN-2000 APVD K COBLE 07-JUN-2000 NAME PRODUCT SPEC APPLICATION SPEC SIZE CAGE CODE DRAWING NO RESTRICTED TO
MATERIAL SEE TABLE	FINISH SEE TABLE	WEIGHT A1 00779 C=641963 CUSTOMER DRAWING SCALE 5:1 SHEET 1 OF 1 REV K1

STE TE Connectivity
PIN HEADER ASSEMBLY, POLARIZED, 2 CIRCUIT™ UNIVERSAL MATE-N-LOK™